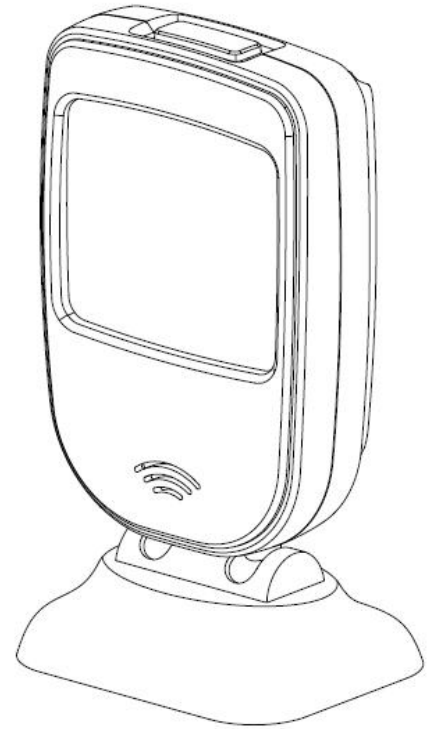


XT7308 2D Image CMOS Hands-free Barcode Reader



Version No.: cnV3.0

Specifications are subject to change without notice

Product Features

- ✧ **Quickly identify the screen 1D code, QR code**
- ✧ **No plug-ins, lightning invoicing**
- ✧ **Slip resistant design**
- ✧ **Oversized reading window**
- ✧ **Fuselage and the data line integrated design**
- ✧ **Compatible with multiple systems**

Application scenario: Supermarket/convenience store checkout counter, customer service desk, ticket inspection window, O2O application site, 1D barcode, 2D barcode, Alipay/WeChat payment code.

Specification

Performance parameter	Image Sensor	CMOS	
	Pixels	640*480CMOS	
	Illumination	No lighting mode, reading light mode, constant light mode	
	symbologies	2D	PDF417, QR Code, Micro QR, Data Matrix
		1D	Code128, UCC/EAN-128, AIM-128, EAN-8, EAN-13, ISBN/ISSN, UPC-E, UPC-A, Interleaved 2 of 5, ITF-6, ITF-14, Matrix 2 of 5, Industrial 25, Standard 25, Code 39, Codabar, Code 93, Code 11, Plessey, MSI-Plessey, GS1-DataBar (RSS), (RSS-14, RSS- Limited, RSS-Expand)
	Resolution	≥5mil	
	Scan Angle	Pitch	±60°@ 0°Roll and 0° Skew
		Roll	±360°@ 0°Pitch and 0° Skew
		Skew	±55 °@ 0°Roll and 0° Pitch
	Symbol Contrast	≥30%	
	Interface	USB HID-KBW, USB virtual port, USB HID-POS TTL-232, RS-232	
	Field of View	Horizontal 44° , Vertical 33.2°	
	Typical Depth of Field	Code 128	QR code
		10mil 0-12cm	30mil 0-15cm
Physical	Dimensions (L*W*H)	80*36*149.5mm	
	Weight	328.5g	
	Current	Operating	149mA
		Standby	98mA
		Maximum current	<200mA
Environmenta l	Operating Temperature	-20℃~+50℃ (-4° F~122° F)	
	Storage Temperature	-40℃~+80℃ (-40° F~176° F)	
	Humidity	5%~95% (non-condensing)	
	ESD	±14 kV (air discharge), ±8 kV (direct discharge)	
	Drop	1.2m drops to concrete (for six sides , one drop per side)	
	Sealing	IP 52	
	Certifications	FCC Part15 Class B, CE EMC Class B	
Accessories	Cable(optional)	USB (2m)	USB HID-KBW、USB Virtual serial port、USB HID-POS
		RS-232 (2m)	RS-232

Part of the

Figure 1 host size chart

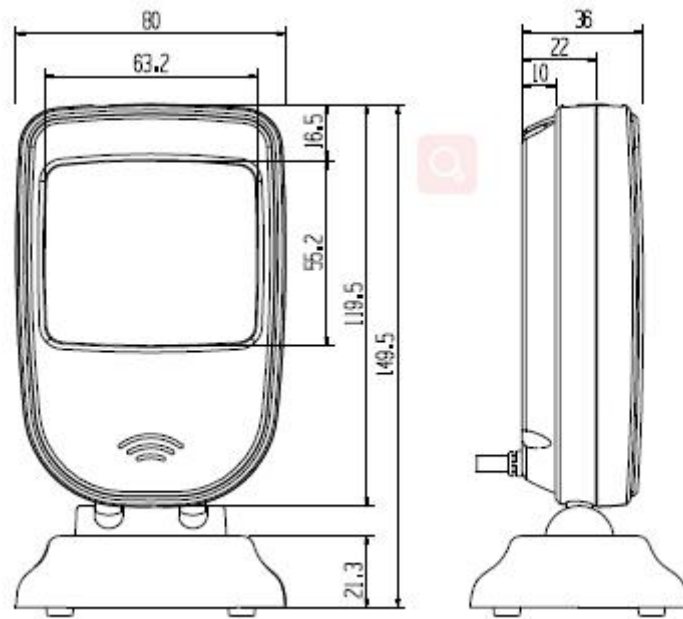


Figure 2 naming rules

